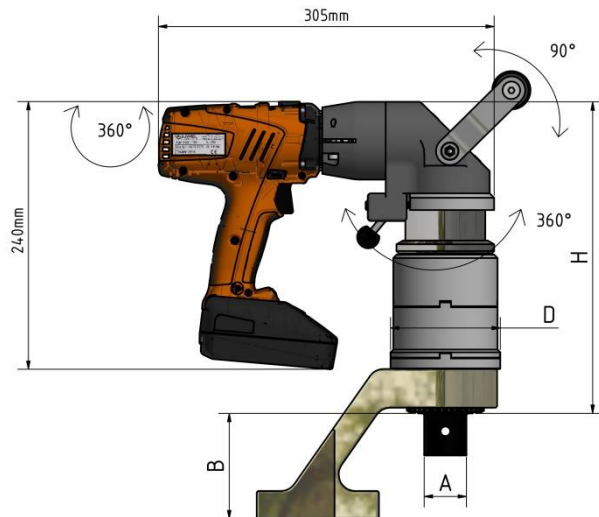


Technical data | TQWS - series

- 4-gear full metal gear
- Brushless PowerDrive motor with 30% higher efficiency
- Lithium-ion rechargeable battery with SafetyCell Technology
- Drive and electronics are completely dust-protected
- High speeds for precise and quick screwing
- A separate communication line protects the rechargeable battery and tools from overload
- Electronic torque setting
- Visual and acoustic signal when reaching a defined battery charge
- Support of high-strength aluminium
- The rapid charger ensures the battery is fully charged in less than 30 minutes



Typ		TQWS - 095	TQWS - 130	TQWS - 220	TQWS - 300	TQWS - 400	TQWS - 500
Art.- Nummer / Art. No.		62 100 095	62 100 130	62 100 220	62 100 300	62 100 400	62 100 500
Leistungsbereich / torque range		100 - 950 Nm	100 - 1.300 Nm	100 - 2.200 Nm	100 - 3.000 Nm	150 - 4.000Nm	200 - 5.000Nm
Drehzahl / speed	1 Gang / gear	7,7 U/min	4,25 U/min	2,1 U/min	1,2 U/min	1,25 U/min	0,5 U/min
Drehzahl / speed	2 Gang / gear	15 U/min	8,5 U/min	4,2 U/min	2,5 U/min	2,5 U/min	0,9 U/min
Drehzahl / speed	3 Gang / gear	35 U/min	20 U/min	9,5 U/min	6 U/min	5,5 U/min	2,0 U/min
Drehzahl / speed	4 Gang / gear	66 U/min	39 U/min	18 U/min	12 U/min	11 U/min	4,0 U/min
Höhe / height mm	H	260 - 265	262	292	292	304	336
∅ Getriebe / gearbox mm	D	75	88	88	88	99	99
Werkzeugantrieb / square drive		3/4" - 1"	1"	1"	1"	1 1/2"	1 1/2"
Weite (mm) / Width	B	55/75	75	75	75	95	95
Gewicht / weight		8,8 kg	9,3 kg	10,1 kg	10,1 kg	12,0 kg	14,2 kg

Technische Änderungen vorbehalten / Subject to technical changes