

# 18.0 V CORDLESS HYDRAULIC CRIMPING TOOL

# B550

## general features

### MAIN APPLICATIONS - max section sqmm

Section sqmm	0.5-1.5	1.5-2.5	4-6	10	16	25	35	50	70	95	120	150	185	200	240	300	400	500	630	800	1000	
L.V. lugs and splices																						
Insulated terminals																						
End sleeves																						
"C" sleeve Connectors																						

These tools are supplied without dies. For die selection, please refer to chart on pages 230 to 244

### TECHNICAL FEATURES

Crimping force kN	57.7
Dimensions mm	
Length	359
Height	358
Width	83
Battery	18.0V 4.0Ah
Weight kg (with Battery)	5.3

### STORAGE

Type	VAL-P40
Dimensions mm L x W x H	520 x 432 x 126
Weight kg	2.6
Purchase separately	-



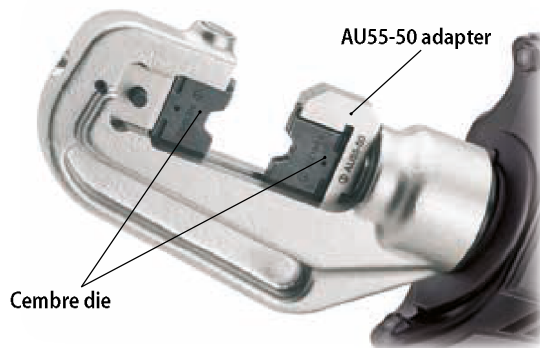
### The tool is supplied as:

- Basic tool with battery and shoulder strap
- Spare battery
- Battery charger
- USB cable
- Plastic carrying case suitable for storing the tool and accessories

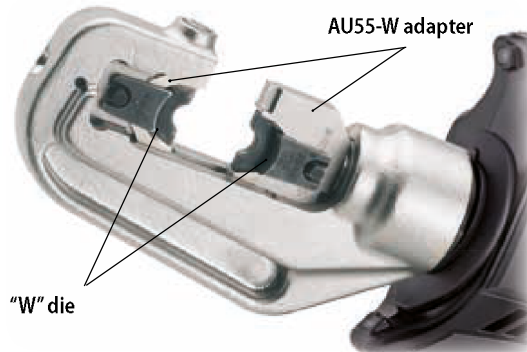


132kN	Li-Ion 18.0V	SPEED
180°	OLED	BATTERY DISPLAY
PROTECTED	ONE HAND	SAFETY
MAX PRESSURE	RELEASE	SILENT
SMOOTH	ERGONOMIC	BALANCED
LED LIGHTING	B-COMPONENT	ENERGY SAVE
DURABLE	200k	-15°C +50°C
HEXAGONAL	RADIAL	INDENT
OVAL	INDENT	CIRCULAR
CE		

### With adapter AU55-50 for accepting Cembre dies.



### With adapter AU55-W for accepting "W" dies.



The next generation of Cembre cordless hydraulic tools represents a significantly advantageous evolution from current models.

The B550, with adapter AU55-50, will accept all Cembre 50 kN dies; with adapter AU55-W it will accept "W" dies.

New Li-Ion 18V 4 Ah batteries offer a higher capacity than 14.4V 3 Ah.

The OLED display provides essential real time tool operating information data including:

- Crimping pressure and force being generated, for confirmation of adherence to norms and best practice
- Battery power availability
- Tool identification, LED work light state, reset, no. of operational and service crimping cycles
- Tool service required to maintain optimum condition.



B550-KV version also available for Power Supply Companies